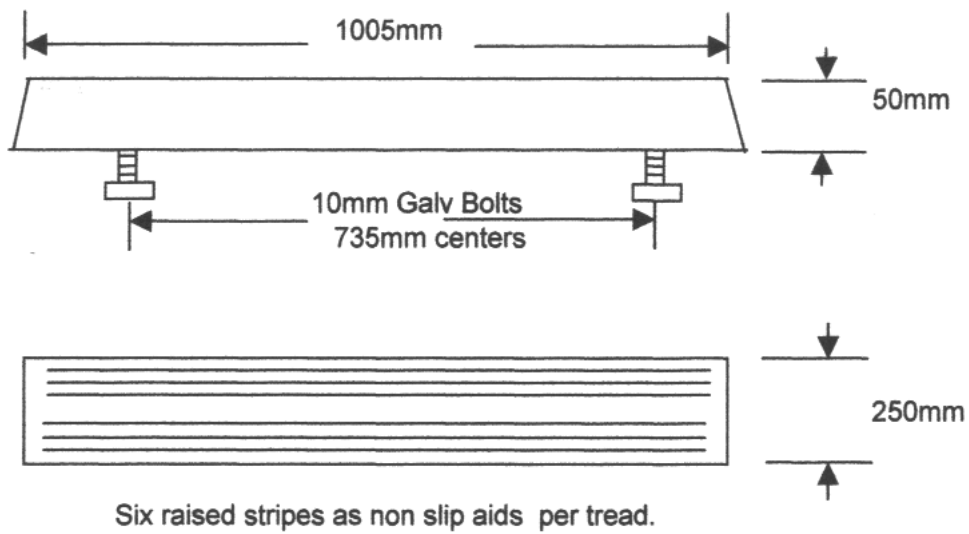


Step Tread Data Sheet



Note: Treads should be positioned on stringers and should be tightened to firm only. Over tightening may result in cracking the tread if hold down brackets are not level.

All measurements should be checked prior to installing stringers.